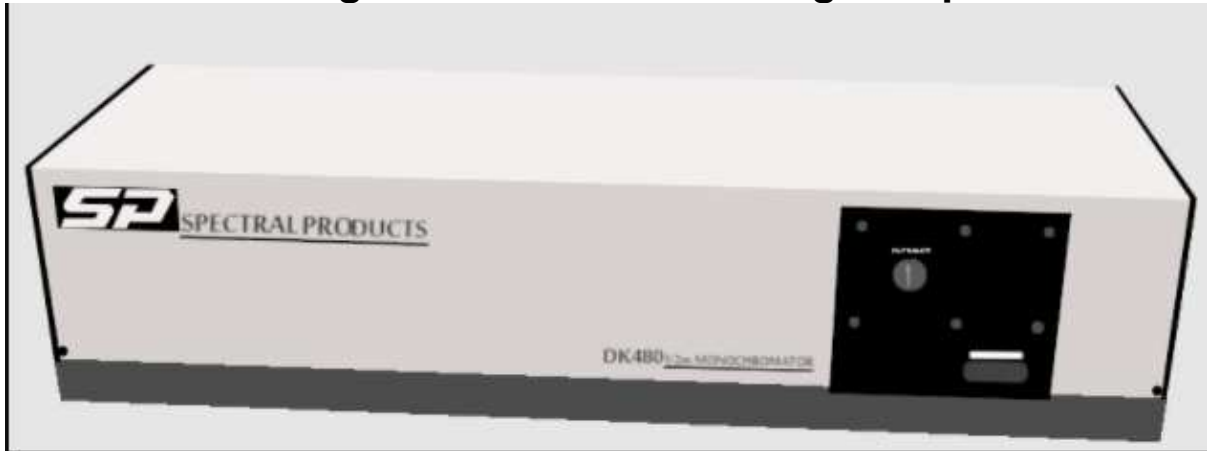


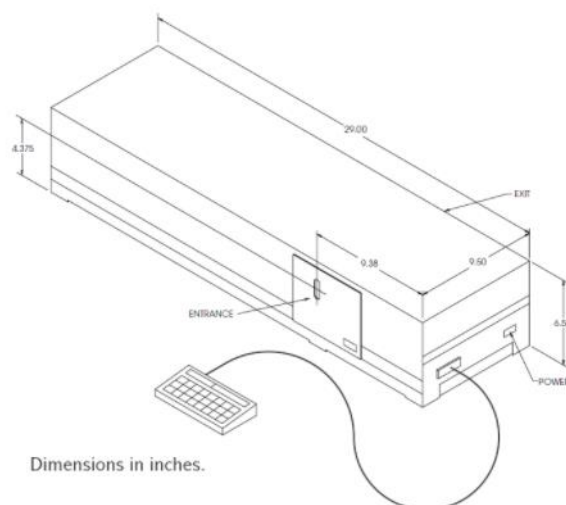
DK480 1/2m Monochromator

DK480: Wavelength Selection is No Longer Expensive



- Connects to any computer via RS 232 or IEEE-488
- Motorized slits
- Triple-grating turret allows high efficiency scanning across a broad spectral range
- May be factory configured as a monochromator or spectrograph
- Scans in both directions and with Constant Spectral Resolution (CSR)
- Integrates with SP filter wheel for automatic filter switching
- Suitable for fluorescence and absorption studies, detector characterization, thin film measurements, etc

The Digikröm DK480 is a complete computer integrated solution. Easy to use commands control the triple grating turret, motorized slits, and optional motorized filter wheel for quick and easy sorting. Instrument mode can be set for constant spectral resolution (CSR), where the slit width is automatically modified to compensate in the change in dispersion with wavelength to maintain constant spectral bandpass. Rugged cast construction, A-Thermal design, and SP direct grating drive make this unit the most repeatable and reliable in its class. Each instrument is calibrated and certified prior to delivery.



Model	DK480
Design	Czerny-Turner : standard Triple grating turrets
Focal Length	480mm
f/#	7.8
Reciprocal Dispersion	1.60nm/mm (with 1200 g/mm grating)
Wavelength Drive	Worm and wheel with micro-processor control and anti-backlash gearing Bi-directional. Usable in positive or negative grating orders
Wavelength Precision	0.01nm (with 1200 g/mm grating)
Wavelength Accuracy	± 0.30nm standard (with 1200 g/mm grating)
Scan Speed	1 to 1200nm/min (with 1200 g/mm grating)
Stray Light	< 0.01% @220nm (NaI)
Slits	Unilateral, computer controlled, curved entrance and straight exit standard. Width: 10µm - 3000µm Height: 2mm - 20mm
Max Resolution	0.1nm (with 1200 g/mm grating)
Gratings	1 to 3 gratings (68 x 68mm - standard), (68 x 84 - optional) must be purchased. See DK Gratings page for options.
Software	Demonstration control program and LabView driver included.
Power	100 - 240V - 50/60Hz - 60W 220/230/240V - 50/60Hz @0.5A optional
Interface	RS 232 standard
Weight	45lbs
Warranty	1 year
Options	<ul style="list-style-type: none"> - DKBS: Bi-lateral slits - DKGPIB: IEEE-488 communication interface (internal) - DK2400 and handheld controllers for local control - IR480: Gold optics - DK2PORT: Bifurcated fiber bundle for attaching 2 devices to 1 port - AB300: Automated 6 position filter wheel <p>See accessories for more options.</p>